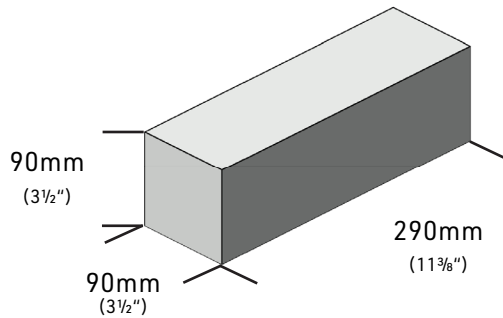


TECHNICAL DETAILS

MJ Saratoga Brick

PRODUCT DRAWINGS



PRODUCT DETAILS

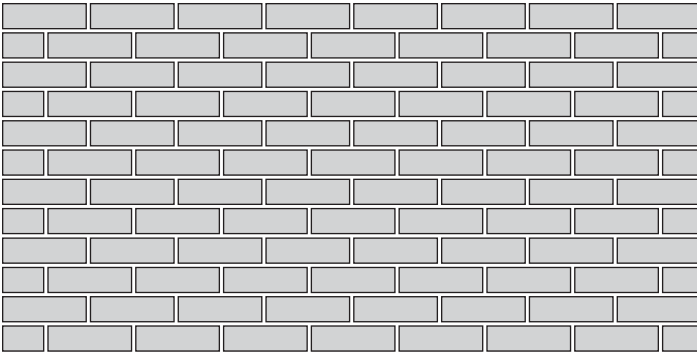
	Metric	Imperial
Selling UoM		SF
Coverage/Skid	7.2m ²	77sf
Weight/UoM	150.7kg	30.81lbs
Weight/Piece	4.7kg	10.27lbs
Weight/Skid	1,097kg	2,412lbs
Pieces/Skid	231	231
# of Layers	7	7
Pieces/Layer	33	33
UoM/Layer	1.02m ²	11sf
Pieces/UoM	33	3
Pallet Size	101cmx101cm	40"x40"

CORNERS

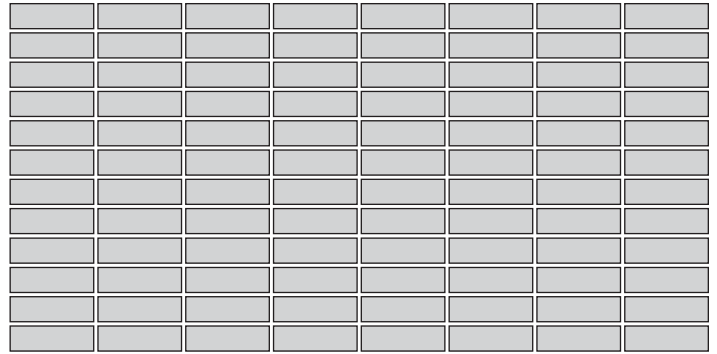
Corners are included
60% of the units are corners

TYPICAL INSTALLATION PATTERN

Running Bond

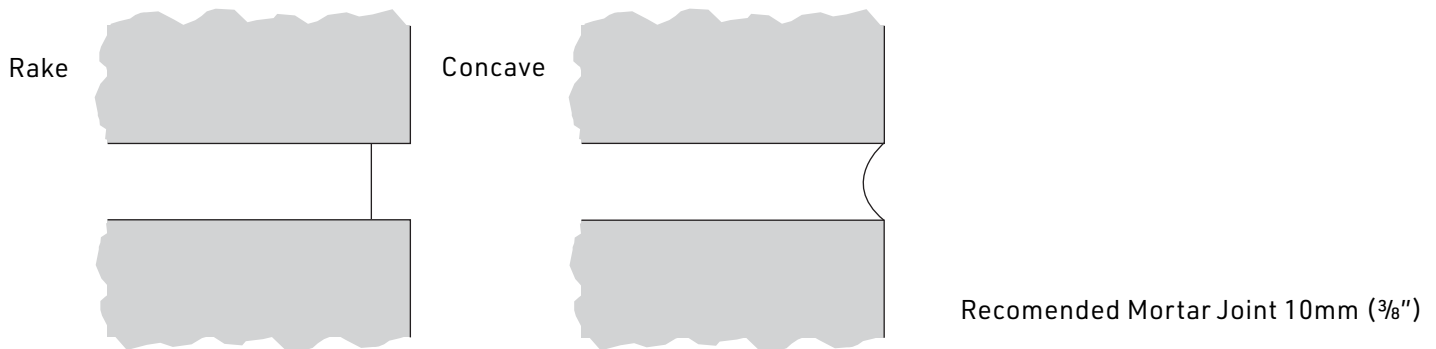


Stack Bond



Typical Installation Guidelines: • Blend product from multiple packages for most natural look

TYPICAL MORTAR JOINT



TYPICAL COURSING GUIDE

Tables Include one unit and one joint.

Vertical Units	10mm Joint	$\frac{3}{8}$ " Joint
1	100mm	3 $\frac{7}{8}$ "
2	200mm	7 $\frac{3}{4}$ "
3	300mm	11 $\frac{5}{8}$ "
4	400mm	15 $\frac{1}{2}$ "
5	500mm	19 $\frac{3}{8}$ "
6	600mm	23 $\frac{1}{4}$ "
7	700mm	18 $\frac{3}{8}$ "
8	800mm	27 $\frac{1}{8}$ "
9	900mm	31"
10	1,000mm	34 $\frac{7}{8}$ "
20	2,000mm	77 $\frac{1}{2}$ "
30	3,000mm	116 $\frac{1}{4}$ "
40	4,000mm	155"
50	5,000mm	193 $\frac{3}{4}$ "
100	10,000mm	387 $\frac{1}{2}$ "

Horizontal Units	10mm Joint	$\frac{3}{8}$ " Joint
1	300mm	11 $\frac{3}{4}$ "
2	600mm	23 $\frac{1}{2}$ "
3	900mm	35 $\frac{1}{4}$ "
4	1,200mm	46"
5	1,500mm	58 $\frac{2}{3}$ "
6	1,800mm	70 $\frac{3}{8}$ "
7	2,100mm	82 $\frac{1}{8}$ "
8	2,400mm	93 $\frac{7}{8}$ "
9	2,700mm	105 $\frac{1}{2}$ "
10	3,000mm	117 $\frac{1}{4}$ "
20	6,000mm	234 $\frac{5}{8}$ "
30	9,000mm	351 $\frac{7}{8}$ "
40	12,000mm	469 $\frac{1}{8}$ "
50	15,000mm	586 $\frac{1}{2}$ "
100	30,000mm	1,173"

CODES & STANDARDS

Shouldice Stone Products are supported by the following National Codes & Standards.
Refer to local building codes and standards to confirm best practice.

CANADIAN

[CSA A165 Standards on Concrete Masonry Units](#)

[CSA A371 Masonry Construction for Buildings](#)

[CSA A179 Mortar and Grout for Unit Masonry](#)

[CSA A370 Connectors for Masonry](#)

AMERICAN

[ASTM C55 Specification for Concrete Building Brick](#)

[ASTM C90 Specification for Loadbearing Concrete Masonry Units](#)

[ASTM C270 Specification for Mortar for Unit Masonry](#)

[ASTM C476 Specification for Grout for Masonry](#)

[ASTM C1634 Specification for Concrete Facing Brick and Other Concrete Masonry Facing Units](#)

[NCMA TEK 8-4A Cleaning Concrete Masonry](#)

[NCMA TEK 9-1A Mortars for Concrete Masonry](#)

[NCMA TEK 8-3A Control and Removal of Efflorescence](#)

[NCMA TEK 10-4 Crack Control for Concrete Brick and other Concrete Masonry Veneers](#)

[NCMA TEK 19-5A Flashing Details for Concrete Masonry Walls](#)

TYPICAL UNIT PROPERTIES

Products exceed the CSA and ASTM standards.

	Standard	Compression Strength	Absorption	Density	Fire Rate (Hours)
CSA	A165.2	>25mpa	<8%	>2000kg/m ²	1.1
ASTM	C1634	>3000psi	<12lb/ft ³	>125lb/ft ³	

HATCH PATTERNS & TEXTURE MAPS

To access Shouldice Stone Hatch Patterns and texture maps visit the corresponding [shouldice.ca product page](#) for current availability.

CONTACT US

For technical questions regarding our product line please contact our knowledgeable customer service team.
By phone: **800.265.3174** or email: designer@shouldice.ca